

MIRO 2-2I385CW

Compact Fanless Embedded Computer
with Intel® Bay Trail Processor



■ Features:

- Intel® Bay Trail CPU: Atom™ E3845 / E3825, Celeron® J1900
- 2 / 4GB DDR3L memory on board
- 2 x GbE, 1 x COM, VGA, 2 x USB
- Wide Range 9~36V DC input
- DIN Rail mountable (with optional Kit)

■ Specifications :

Motherboard	2I385CW	
CPU	Intel® Bay Trail J1900 / E3825 / E3845 CPU	
Chipset	Intel Bay Trail SoC	
Memory	On board DDR3L 2 / 4GB	
Storage	mSATA	
Expansion slots	1 x Full-size Mini PCIe (PCIe / USB / mSATA) 1 x Half-size Mini PCIe (USB / mSATA)	
I/O ports	Network	2 x Intel GbE
	USB	2 x USB 2.0
	Serial ports	1 x COM
	Display	1 x VGA
Optional Modules & Accessory	GPS, Bluetooth, WiFi, 4G LTE, *VESA Mount Kit, *DIN Rail Mounting Kit *Wall Mount Kit *External Power Adapter	
OS Support	Windows® 10 IOT (64bit), Windows® 8.1 (64bit), Windows® Embedded 8 Standard (64bit), Windows® 7 (32 / 64bit), Windows® Embedded Standard 7 Runtime, Ubuntu 14.10 above, Fedora 25 above, Debian 8 above, CentOS 7.3 above, Mint 18.1 above	

■ Mechanical

Dimensions	140W x 92D x 37H mm
Weight	0.5 kg
Mounting	Wall Mount*, DIN Rail Mount*, VESA Mount*

■ Power

DC input	+9~36V (2I385CW) ; +12V (2I385A)
AC input	External adapter 100 / 240V

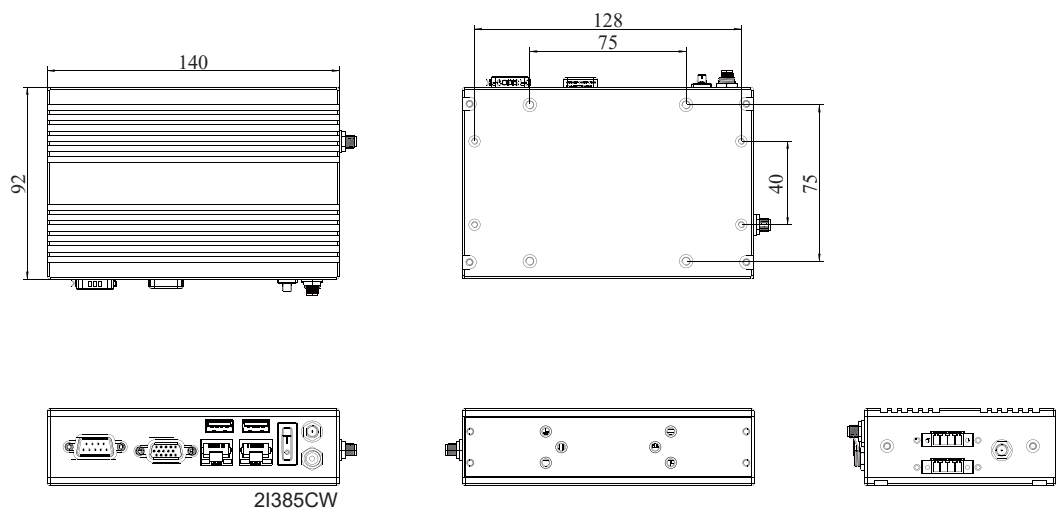
■ Environment

Operating Temp. (100 % CPU usage)	-20°C to +60°C with mSATA
Storage Temp.	-20°C to +70°C
Relative Humidity	95% @ 40°C, non-condensing

■ Certification

CE / FCC, UL, IEC / IECEE

■ Dimension



Specification are subject to change without prior notice. ODM / OEM is available.